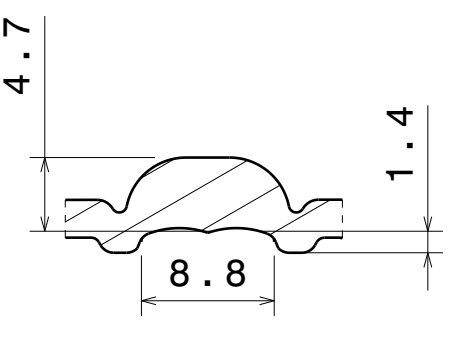
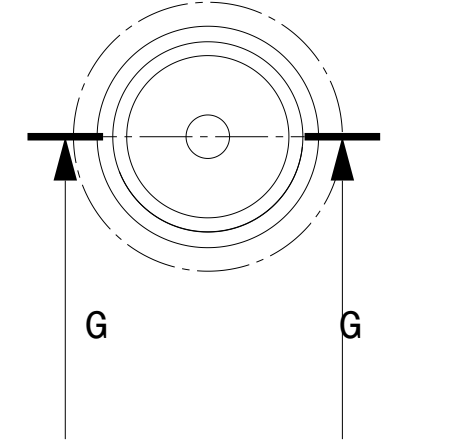


Bottom view
Scale: 1:1

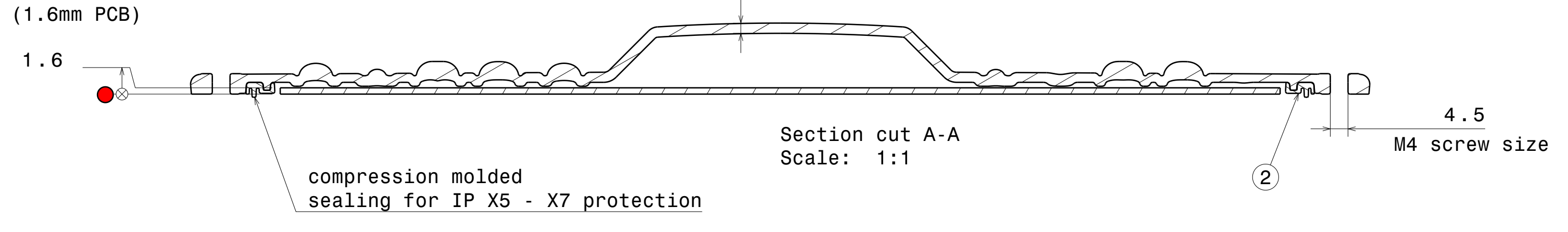


Section cut G-G
Scale: 2:1

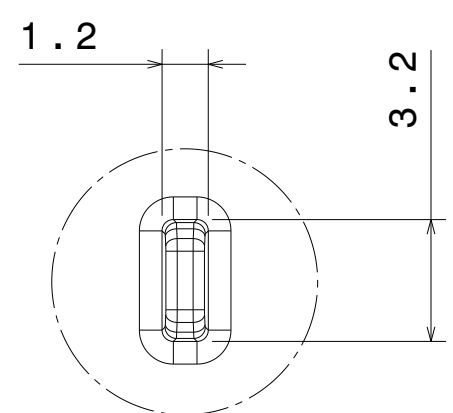


Detail F
Scale: 2:1

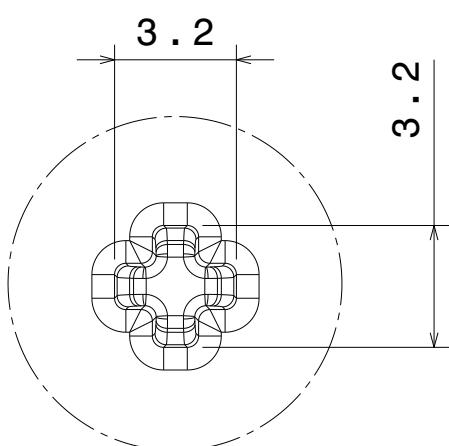
Silicone seal is tested to work in LEDiL test assemblies. Customer is recommended to test the sealing in the end product due many variables, such as heat sink surface and possible chemical traces



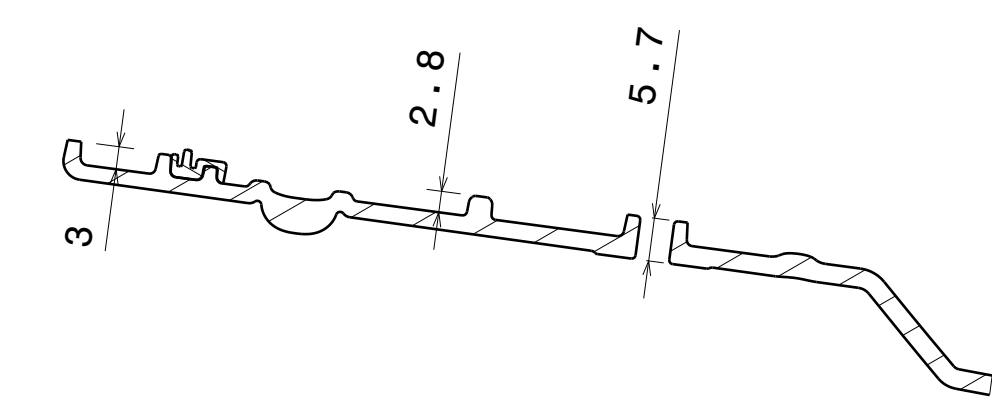
Section cut A-A
Scale: 1:1



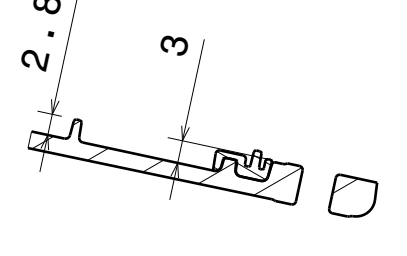
Detail C
Scale: 5:1



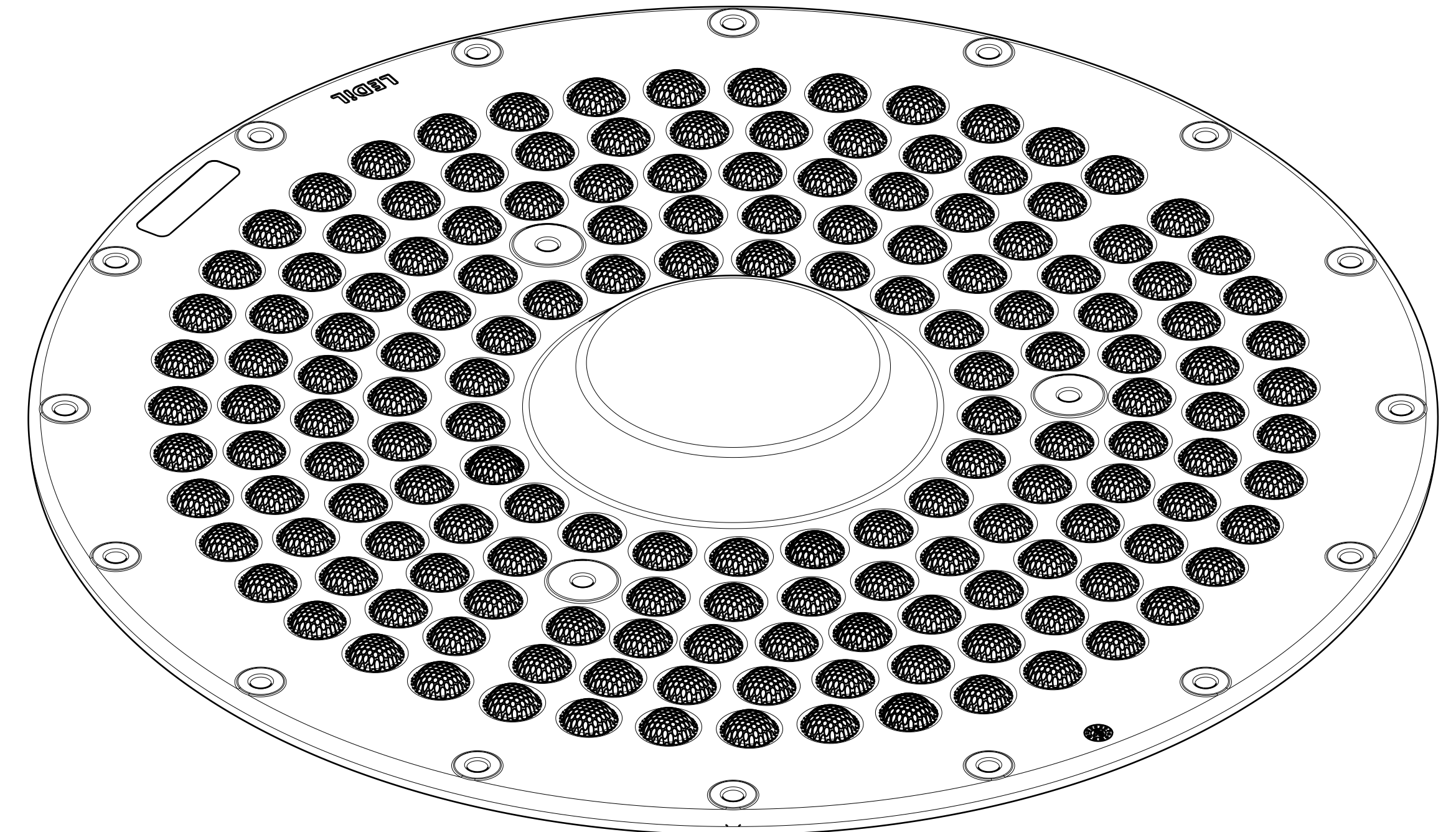
Detail B
Scale: 5:1



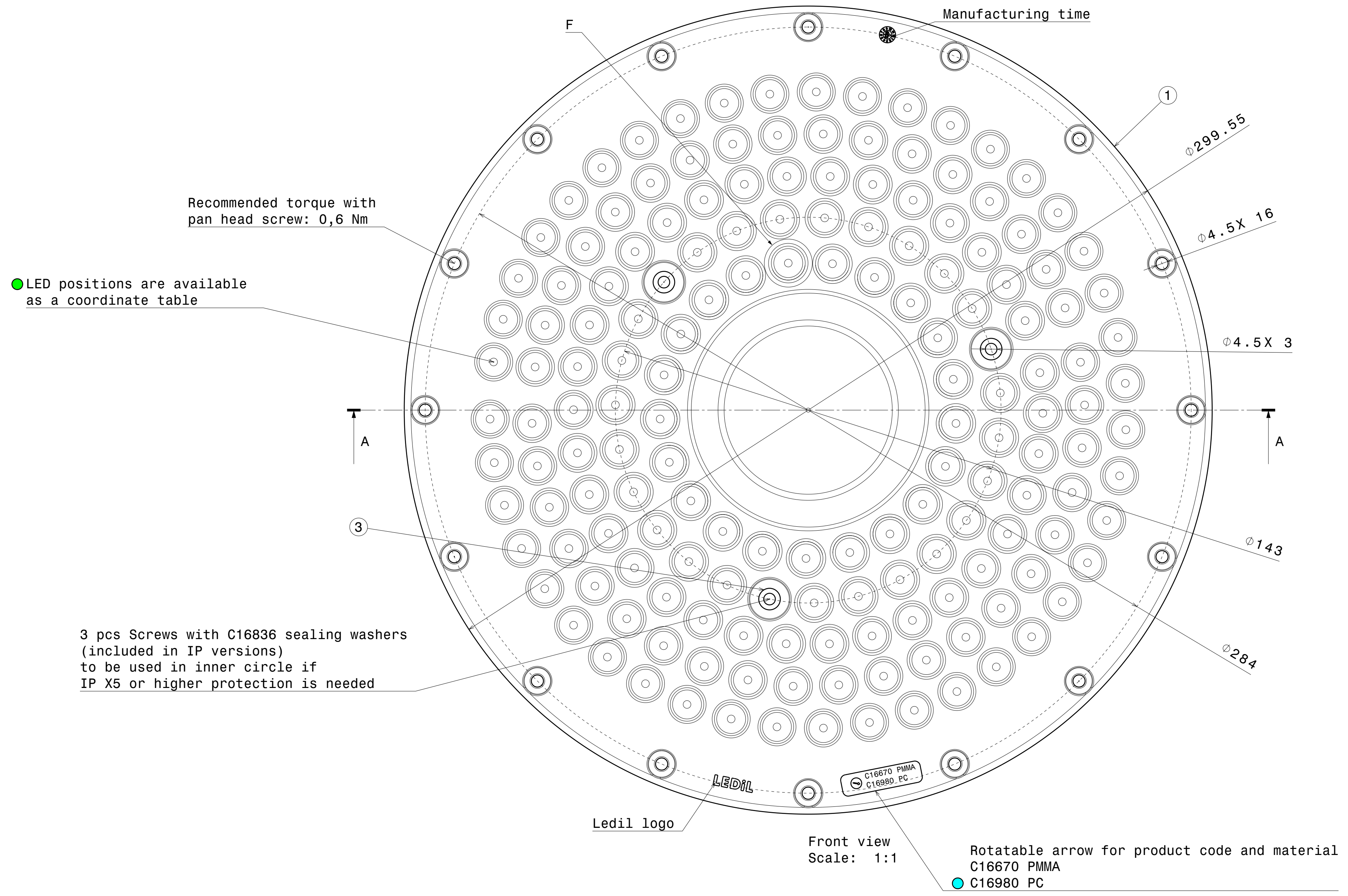
Section cut D-D
Scale: 1:1



Section cut E-E
Scale: 1:1

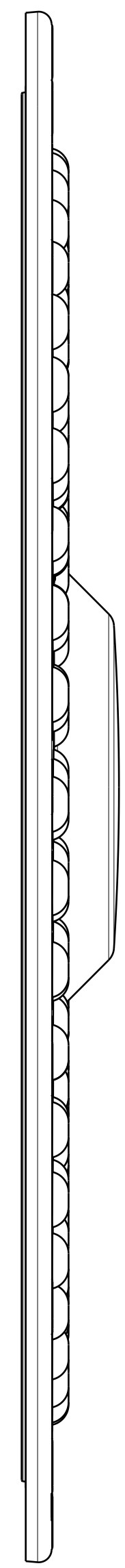


Isometric view
Scale: 1:1

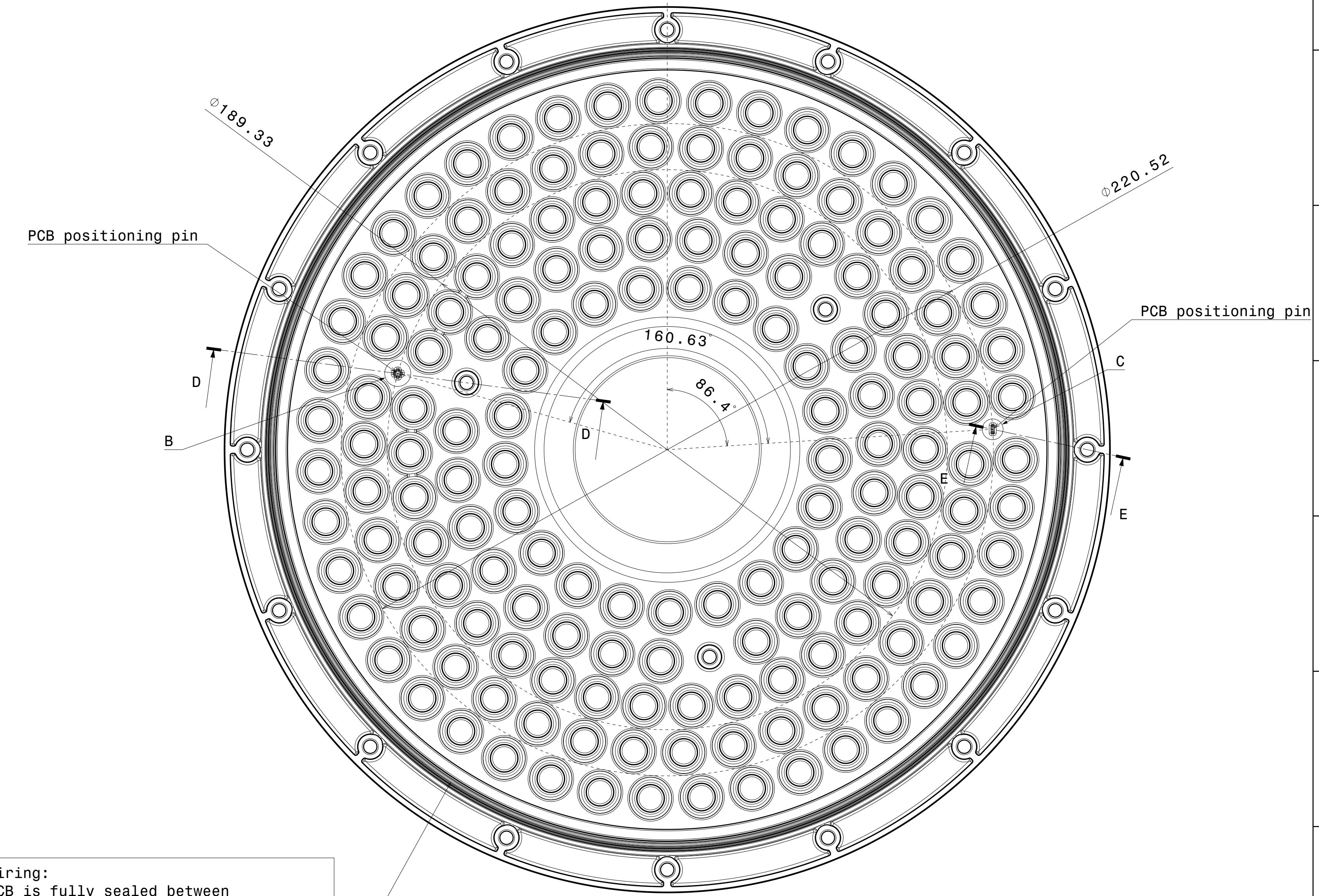


Front view
Scale: 1:1

Rotatable arrow for product code and material
C16670 PMMA
C16980 PC



Left view
Scale: 1:1



Rear view
Scale: 1:1

Wiring:
PCB is fully sealed between the lens with silicone seal and the heatsink. Wiring needs to be done through the PCB and heatsink to maintain IP rating

LED positions are available as a coordinate table

3 pcs Screws with C16836 sealing washers (included in IP versions) to be used in inner circle if IP X5 or higher protection is needed

INDEX	Pcs	PART	TYPE	MATERIAL	COLOR / COATING
1	1	C16980_VICTORIA-W	Lens	PC	Clear
2	1	C16805_VICTORIA-SEAL	Seal	Silicone	White
3	3	C16836_VICTORIA-O-RING	Seal	PA	Clear

MECHANICAL DRAWING
PRODUCT CS16981_VICTORIA-IP-W-PC



SCALE 1:1 WEIGHT 275g AO SHEET 1/1

Notes
PCB or heatsink level.
LED location
Ensure LED fitting from a product specific 3D model available from www.ledil.com
For more details about installation please see LEDiL Installation Guide on www.ledil.com